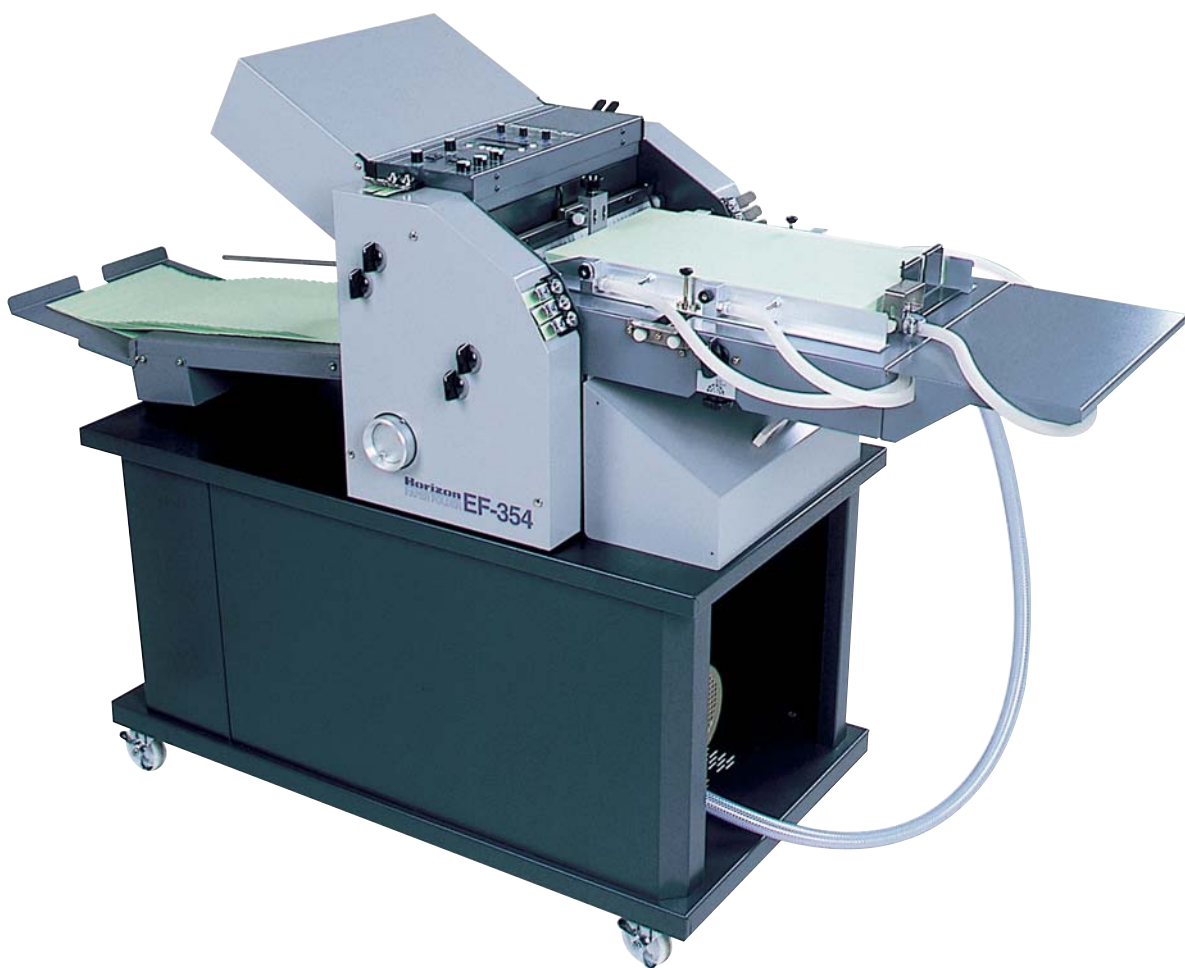


Horizon**EF-354**

**High-speed Folding
with suction rotor feeding.**



Features

- 4-buckle plates enable you to perform complex folding for direct-mail or unique leaflet.
- Minimum fold length is 20 mm (0.8").
- The EF-354 features a top-load bottom suction-feed system, allowing you to load sheets while folding for non-stop operation.
- The roller gap shafts employ a simple sheet inserting adjustment system.
- The preset counter for batch counting is provided as standard function.
- Optional standing delivery is prepared for small size stack.

The EF-354 4-buckle folder is suitable for direct-mail or leaflet folding.

Fold Roller Section

- The roller gap shafts employ a simple sheet inserting adjustment system.
- Combination rubber and steel rollers create positive grip and superior sheet feeding.
- The buckle plates are housed in the sound proof cover to minimize operating sound.

Operation Panel

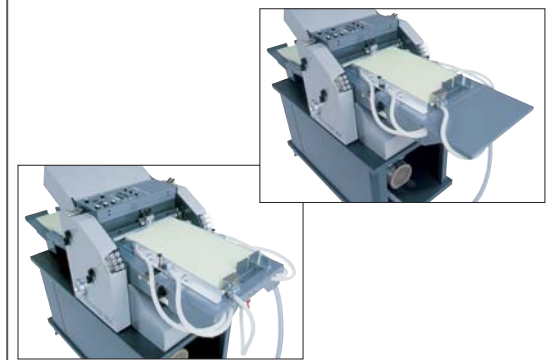
- The preset stop and preset pause functions for batch counting provide a smooth work flow.

Delivery Section

- The variable-speed delivery conveyor allows a variety of fold patterns to be easily received.

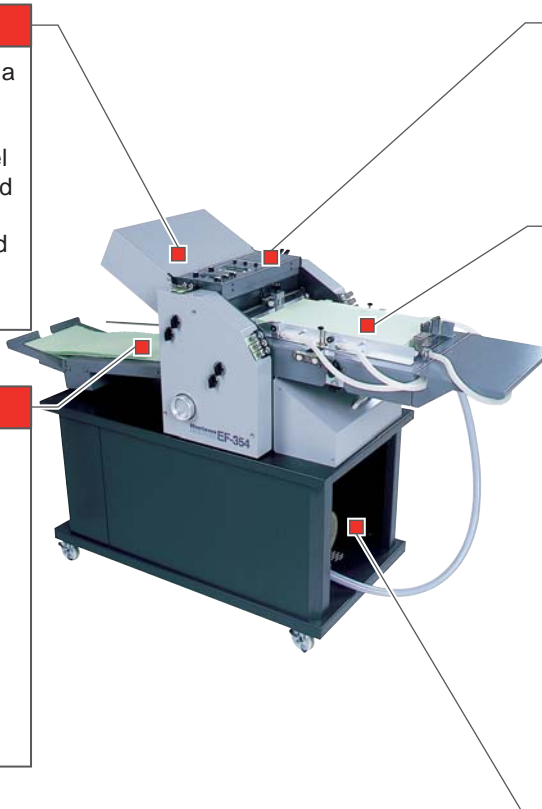
Feeder Section

- The bottom feed suction rotor and gate plate perform reliable sheet feeding.
- The angle and volume of air for pile separation can be adjusted to feed a wide range of stocks.



Air Pump Section

- The air pump requires no additional space as it is housed in the folder table.
- For easy installation and mobility, the pump operates on single phase power.
- The air pump consists of 15m3 compressor for suction feeding and blower motor for sheet separation.



EF-354 Option Units

■ Standing Delivery Unit / ED-354

Optional standing delivery (ED-354) is prepared for small size stack. This stacker has batch count (off-set stack) capability.

With off-set stack

■ Cross Knife Buckle Unit / KTU-35

Optional Cross-Knife Buckle (KTU-35) is suitable for direct mail folding. The KTU-35 is equipped with perforation and scoring function.

EF-354 + KTU-35 for Cross Fold

EF-354 Major Specifications	
Max. Sheet Size	350(W) x 650(L) mm (13.7" x 25.6")
Min. Sheet Size	55(W) x 70(L) mm (2.2" x 2.8")
Sheet Weight Range	Normal Paper, Coated Paper 47 to 240 gsm
Buckle Fold Length	20 to 330 mm (0.8" to 12.9")
Maximum Pile Height	Normal Paper : 40 mm (1.6") Coated Paper : 20 mm (0.78")
Production Speed	30,000 sheet/hr. [A4 (8.5" x 11") Single Fold]
Voltage / Frequency	Single Phase 100 V, 50 / 60 Hz Single Phase 230 V, 50 / 60 Hz
Rated Current	Single Phase 100 V, 50 Hz / 60 Hz, 9.0 A Single Phase 230 V, 50 Hz, 8.4 A / 60 Hz, 11.0 A
Power Consumption	Single Phase 100 V, 50 Hz / 60 Hz, 0.80 kW Single Phase 230 V, 50 Hz, 1.70 kW / 60 Hz, 2.48 kW
Machine Dimensions	1,680(W) x 580(D) x 1,150(H) mm (66.2" x 22.9" x 45.3") (When the receiving tray is using)
Noise Level	L _p peak : 85.1 dB L _{avg} : 84.7 dB
Machine Weight	190 kg (419 lbs)

*The machine design and specifications are subject to change without any notice.

Distributed by