

TECHNICAL SPECIFICATIONS

PAPER SPECIFICATION

- paper weight: Min 60 gr/sqm, Max 250 gr/sqm
- multicopy form: Max weight 350 gr/sqm
- form width: Max 20"
- form height: Min 2" 5/6, max 99"
- cut strip paper: programmable with oscillating blade cartridge - TC 1010
1/6" with vertical blade cartridge - TC 1020
7.8 mm with vertical blade cartridge - TC 1030
- side trimming: up to 25 mm for side
- paper speed: 99 positions
- height paper output level: from 970 mm to 1210 mm - TC 1005 option

SIZE AND WEIGHT

- length 650 mm
- width 840 mm
- height 1100 mm (min 1055 mm, max 1295 mm - TC 1005 option)
- weight 160 Kg

POWER REQUIREMENT

- 230V/110V - 50/60 Hz
- 1.5 KVA

SPEED (cuts per hour)

CARTRIDGE	TC 1010	TC 1020	TC 1030
Cut Selected	Single Cut	1/6" Strip Cut	7,8 mm Strip Cut
Height Form 4"	40.000	40.000	40.000
Height Form 8"	30.000	30.000	30.000
Height Form 12"	25.000	25.000	25.000

SIMPLA CONFIGURATIONS

SIMPLA	TC 1010	TC 1020	TC 1030	TC 1002	TC 1003
TC 1012 F	X			X	
TC 1013 F	X				X
TC 1022 F		X		X	
TC 1023 F		X			X
TC 1032 F			X	X	
TC 1033 F			X		X

TECNAU

HIGH PERFORMANCE CUTTER TC 1000F - FAST

Tecnau presents its High Performance Cutter TC 1000F - FAST

SIMPLA FAST

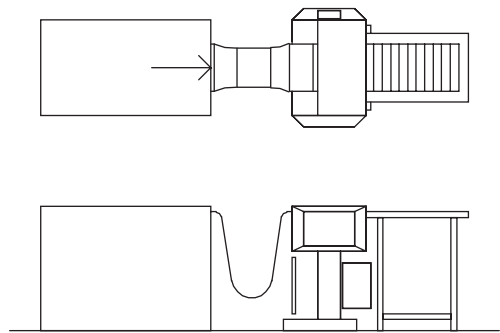
It has been developed to link Digital Printers and to work "stand-alone".



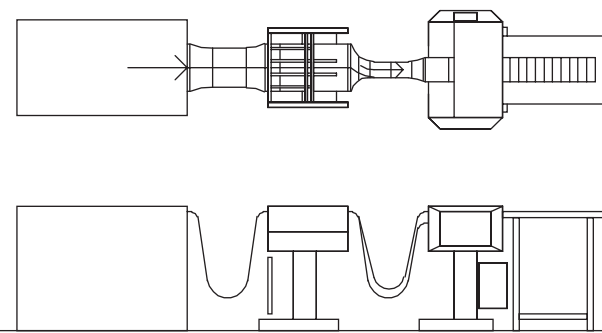
The **SIMPLA FAST** main features include:

- Unique cartridge design: the cross blade cartridges and the side trimming cartridges are removable and interchangeable for quick and easy on site maintenance and for quick application changeover
- Oscillating cross blade cartridge with high precision (1/96") and high durability
- Vertical cross blade cartridge (3 blades system) for single stroke 1/6" strip cut
- Vertical cross blade cartridge (3 blades system) for single stroke 7.8 mm strip cut
- High speed, up to 25.000 cuts per hour (12" height form)
- Paper loop interface for direct connection to laser printers
- Base on wheels with blocking device
- Height adjustment paper level device
- Up to 99 cutting program memory
- Display and keyboard for programming, information, service

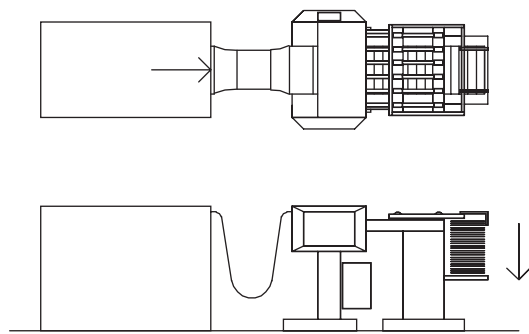
APPLICATIONS



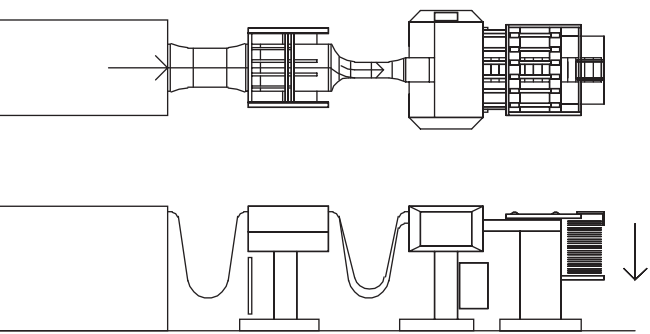
PRINTER **CUTTER TC 1012 F** CONVEYOR TC 0250



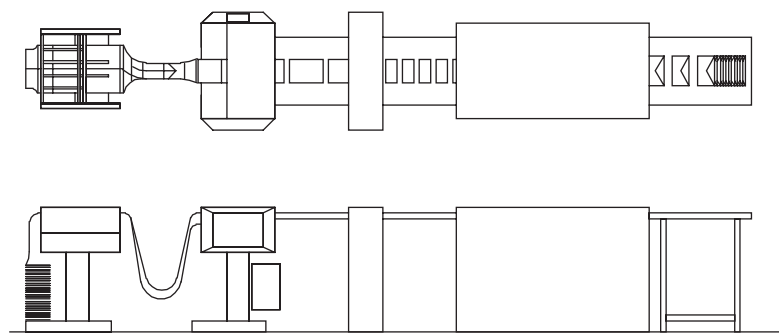
PRINTER MERGER COMBO TC 1105 **CUTTER TC 1012 F** CONVEYOR TC 0250



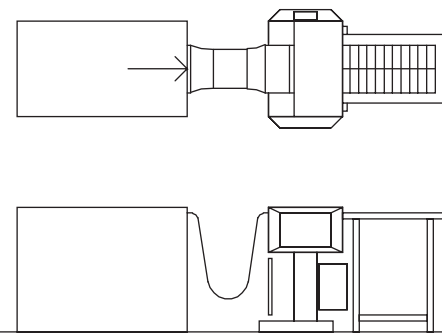
PRINTER **CUTTER TC 1012 F** STACKER TC 1200



PRINTER MERGER COMBO TC 1105 **CUTTER TC 1012 F** STACKER TC 1200



MERGER COMBO TC 1105 **CUTTER TC 1022 F** FOLDER INSERTER CONVEYOR TC 0250



PRINTER **CUTTER TC 1013 F** CONVEYOR TC 0250

CARTRIDGES



OSCILLATING BLADE CARTRIDGE TC 1010



SIDE TRIMMING CARTRIDGE TC 1002



VERTICAL BLADE CARTRIDGE TC 1020 (strip cut 1/6")



SIDE TRIMMING & CENTRAL KNIFE CARTRIDGE TC 1003



VERTICAL BLADE CARTRIDGE TC 1030 (strip cut 7,8 mm)