

TECHNICAL SPECIFICATIONS

TECNAU

HIGH PERFORMANCE CUTTER - TC 2000

PAPER SPECIFICATION

- paper weight: Min 50 gr/sqm, Max 250 gr/sqm
- multicopy form: Max weight 350 gr/sqm
- form width: Max 20"
- form height: Min 2" 5/6, max 99"
- cut strip paper: programmable with oscillating blade cartridge - TC 1010
1/6" with vertical blade cartridge - TC 1020
7.8 mm with vertical blade cartridge - TC 1030
- side trimming: up to 25 mm for side
- paper speed: 99 positions
- height paper output level: from 970 mm to 1210 mm - TC 1005 option

SIZE AND WEIGHT

- length 650 mm
- width 840 mm
- height 1100 mm (min 1055 mm, max 1295 mm - TC 1005 option)
- weight 170 Kg

POWER REQUIREMENT

- 230V/110V - 50/60 Hz
- 1.5 KVA

SPEED (cuts per hour)

CARTRIDGE	TC 1010	TC 1010	TC 1020	TC 1030
Cut	Strip Cut Dual Cut	Single Cut	Strip Cut Single Cut	Strip Cut Single Cut
Height Form 4"	17.000	32.000	30.000	30.000
Height Form 8"	14.000	22.000	22.000	22.000
Height Form 12"	12.000	18.000	18.000	18.000

SIMPLA CONFIGURATIONS

SIMPLA	TC 1010	TC 1020	TC 1030	TC 2002	TC 2003
TC 2012	X			X	
TC 2013	X				X
TC 2022		X		X	
TC 2023		X			X
TC 2032			X	X	
TC 2033			X		X

Tecnau presents its High Performance Dual Web Cutter TC 2000

DUPLA

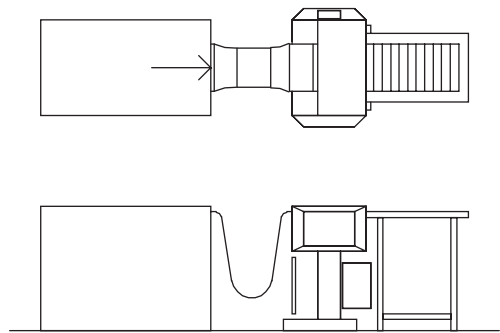
It has been developed to link Digital Printers and to work "stand-alone".



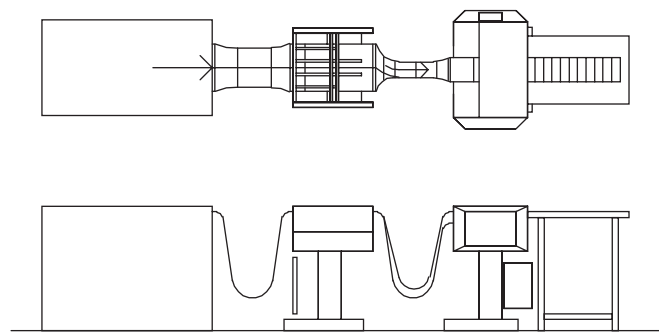
The **DUPLA** main features include:

- Two independent paper channels to process and interleave two continuous paper form
- The paper form can be printed in 1-up or 2-up parallel or serial modes
- Unique cartridge design: the cross blade cartridges and the side trimming cartridges are removable and interchangeable for quick and easy on site maintenance and for quick application changeover
- Oscillating cross blade cartridge with high precision (1/96") and high durability
- Vertical cross blade cartridge (3 blades system) for single stroke 1/6" strip cut
- Vertical cross blade cartridge (3 blades system) for single stroke 7.8 mm strip cut
- High speed, up to 20.000 cuts per hour (12" height form)
- Paper loop interface for direct connection to laser printers
- Base on wheels with blocking device
- Height adjustment paper level device
- Up to 99 cutting program memory
- Display and keyboard for programming, information, service

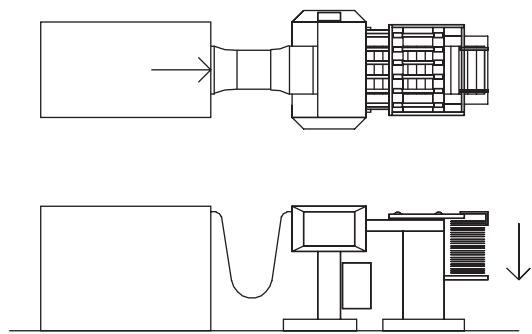
APPLICATIONS



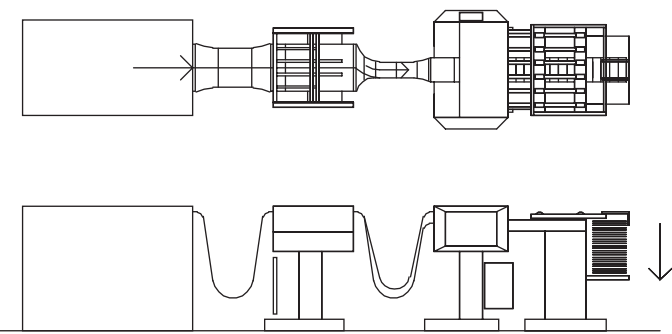
PRINTER **CUTTER TC 2012** CONVEYOR TC 0250



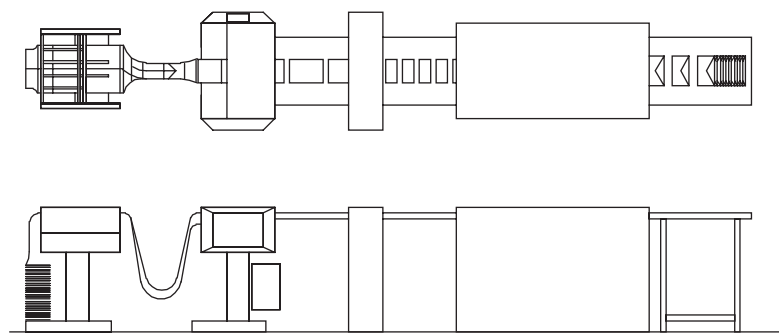
PRINTER MERGER COMBO TC 1105 **CUTTER TC 2012** CONVEYOR TC 0250



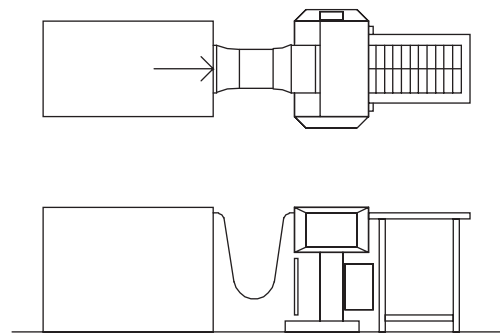
PRINTER **CUTTER TC 2012** STACKER TC 1200



PRINTER MERGER COMBO TC 1105 **CUTTER TC 2012** STACKER TC 1200

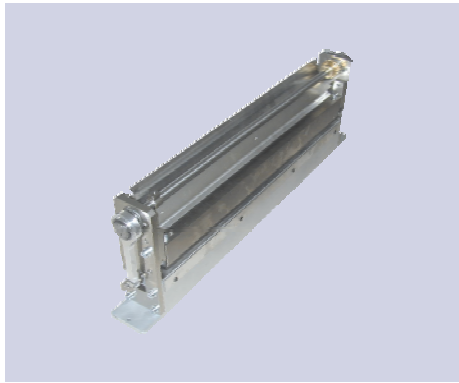


MERGER COMBO TC 1105 **CUTTER TC 2022** FOLDER INSERTER CONVEYOR TC 0250

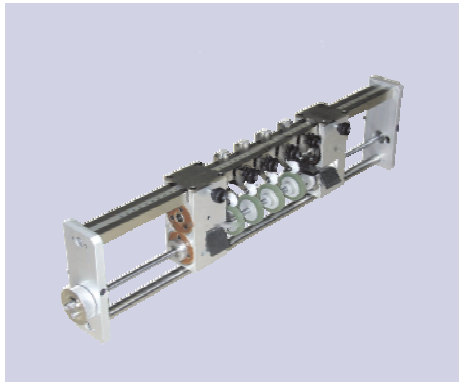


PRINTER **CUTTER TC 2013** CONVEYOR TC 0250

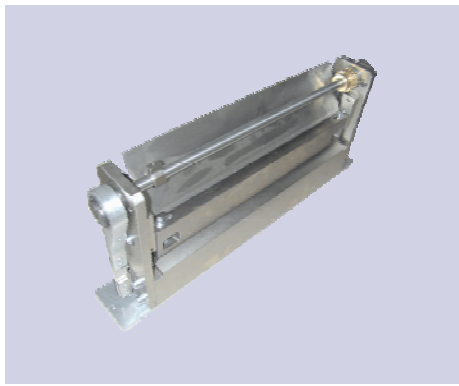
CARTRIDGES



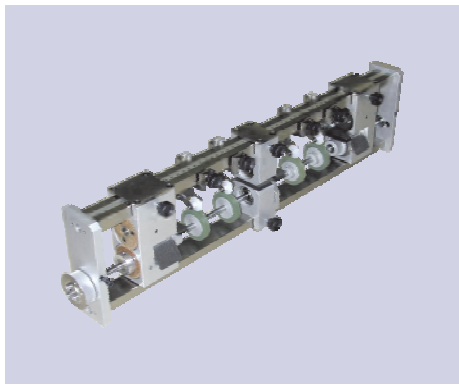
OSCILLATING BLADE CARTRIDGE TC 1010



SIDE TRIMMING CARTRIDGE TC 2002



VERTICAL BLADE CARTRIDGE TC 1020 (strip cut 1/6")



SIDE TRIMMING & CENTRAL KNIFE CARTRIDGE TC 2003



VERTICAL BLADE CARTRIDGE TC 1030 (strip cut 7,8 mm)